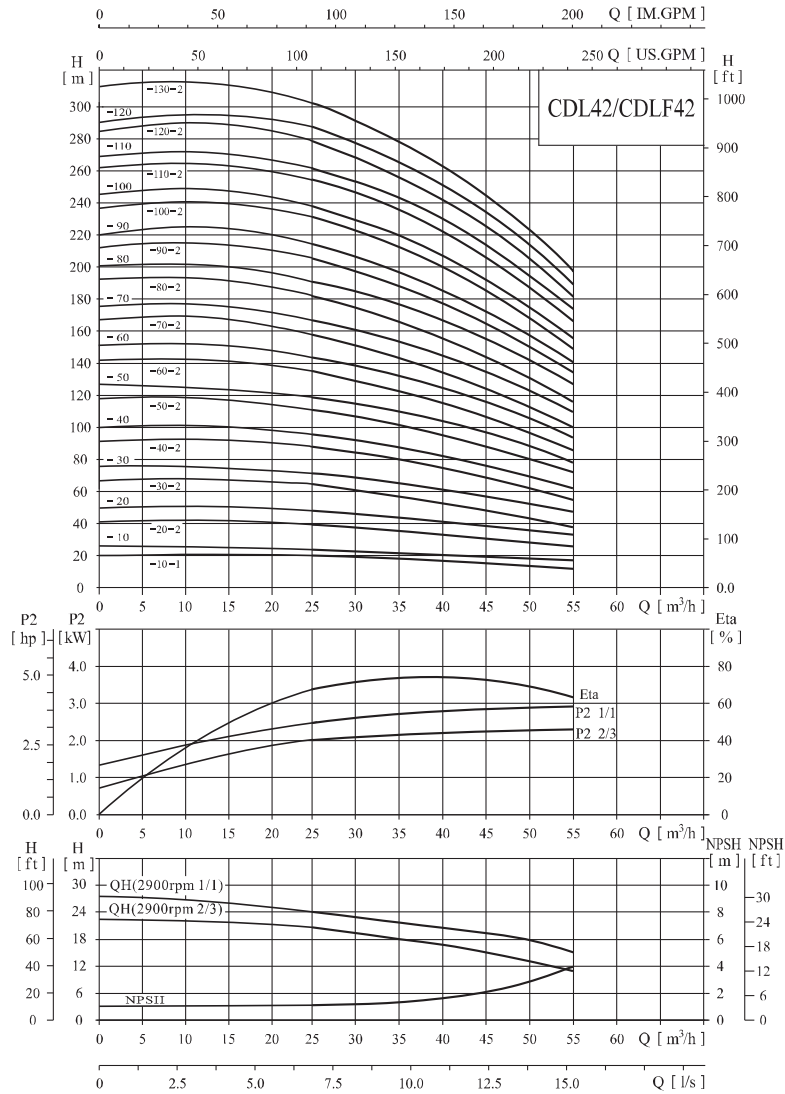


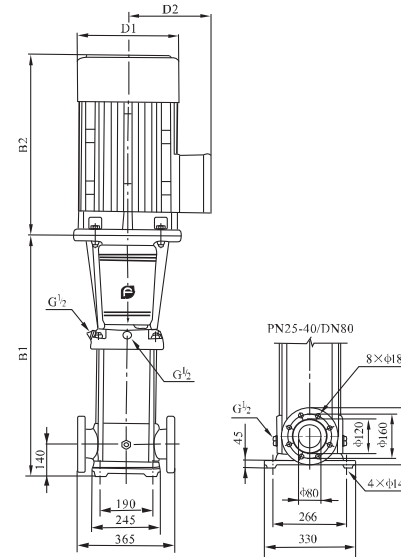
● Performance curve ISO9906 Annex A 2900rpm



● Performance table

Model	Driving motor		Q (m³/h)	25	30	35	40	42	45	50	55
	(kW)	(hp)									
CDL42-10-1	3.0	4	20	19	18	17	16	15	13	11	
CDL42-10	4.0	5.5	24	23	22	21	20	19	18	16	
CDL42-20-2	5.5	7.5	40	38	36	33	32	30	27	23	
CDL42-20	7.5	10	48	46	44	42	41	39	35	31	
CDL42-30-2	11	15	63	61	58	54	52	50	44	38	
CDL42-30	11	15	71	69	66	63	61	58	53	47	
CDL42-40-2	15	20	87	84	80	75	73	69	62	54	
CDL42-40	15	20	95	92	88	84	81	78	71	62	
CDL42-50-2	18.5	25	111	107	102	96	93	88	80	69	
CDL42-50	18.5	25	119	115	110	105	101	97	88	78	
CDL42-60-2	22	30	135	130	124	117	113	108	97	85	
CDL42-60	22	30	143	138	132	125	122	116	106	93	
CDL42-70-2	30	40	158	152	146	138	134	127	115	100	
CDL42-70	30	40	166	161	154	146	142	135	124	109	
CDL42-80-2	30	40	182	175	168	159	154	146	133	116	
CDL42-80	30	40	190	184	176	167	162	154	141	124	
CDL42-90-2	30	40	205	198	190	180	174	166	150	132	
CDL42-90	37	50	214	207	198	188	183	174	159	140	
CDL42-100-2	37	50	230	221	212	200	194	185	168	147	
CDL42-100	37	50	238	230	220	209	203	193	177	155	
CDL42-110-2	45	60	255	246	236	223	217	206	188	165	
CDL42-110	45	60	263	255	244	232	225	214	196	173	
CDL42-120-2	45	60	280	270	259	245	238	226	206	181	
CDL42-120	45	60	289	280	268	255	247	236	216	190	
CDL42-130-2	45	60	305	294	282	267	259	247	225	198	

● Installation sketch



● Size and weight

Model	Size (mm)					Weight (kg)
	B1	B2	B1+B2	D1	D2	
CDL42-10-1	561	345/355	906/916	197/230	165/188	83 /90
CDL42-10						
CDL42-20-2	641	390	1031	260	208	105 /110
CDL42-20						
CDL42-30-2	826	500	1326	330	255	183
CDL42-30						
CDL42-40-2	906	500	1406	330	255	197
CDL42-40						
CDL42-50-2	986	550	1536	330	255	221
CDL42-50						
CDL42-60-2	1066	575	1641	360	285	261
CDL42-60						
CDL42-70-2	1146	650	1796	400	310	320
CDL42-70						
CDL42-80-2	1226	650	1876	400	310	324
CDL42-80						
CDL42-90-2	1306	650	1956	400	310	328 /352
CDL42-90						
CDL42-100-2	1386	650	2036	400	310	355
CDL42-100						
CDL42-110-2	1466	685	2151	450	345	426
CDL42-110						
CDL42-120-2	1546	685	2231	450	345	432
CDL42-120						
CDL42-130-2	1626	685	2311	450	345	438

The overall dimensions of explosion-proof motor is a little different. Pls contact us for details.