

# MSLR500 series ( Double pump )



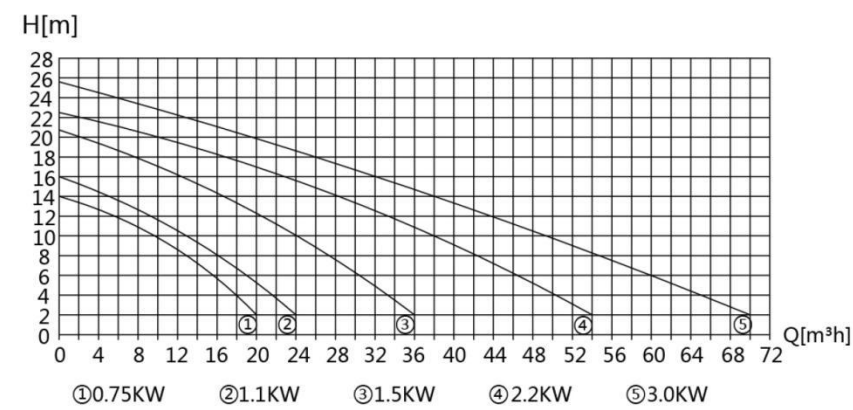
## Product description

MSLR 500 Series sewage lifting equipment is suitable for collecting toilet, basin, shower, sewage basin, bathtub, etc. The waste water generated by washing machine is pumped to the main sewage pipe or outdoor sewage well. MSLR 500 series box is about 500L corrosion-resistant PE collecting bucket, with all-round pre intake, which can be installed in the foundation pit with different complicated water inflow requirements.

## Scope of application

It is suitable for clubs, hotels, Internet cafes, hospitals, parking lots, libraries, etc.

## Performance curve



## Performance parameter

- ※ Built in two cutting pumps
- ※ Corrosion resistant PE box
- ※ The box is equipped with anchor interface
- ※ Fully closed, no odor emission
- ※ Water pump coupling connection, convenient maintenance
- ※ Multiple water inlets, convenient connection
- ※ Built in stainless steel check valve
- ※ The box is equipped with anchor interface
- ※ The volume of the box is large
- ※ Supporting special full LCD control box



## Technical parameter

Model	The volume of the collecting tank is about(L)	Intake	outlet	Snorkel	Weight(kg)
MSLR500L075D	430	DN150/DN100	DN50	DN50	83
MSLR500L110D	430	DN150/DN100	DN50	DN50	85
MSLR500L150D	430	DN150/DN100	DN50	DN50	99
MSLR500L220D	430	DN150/DN100	DN50	DN50	104
MSLR500L300D	430	DN150/DN100	DN50	DN50	113

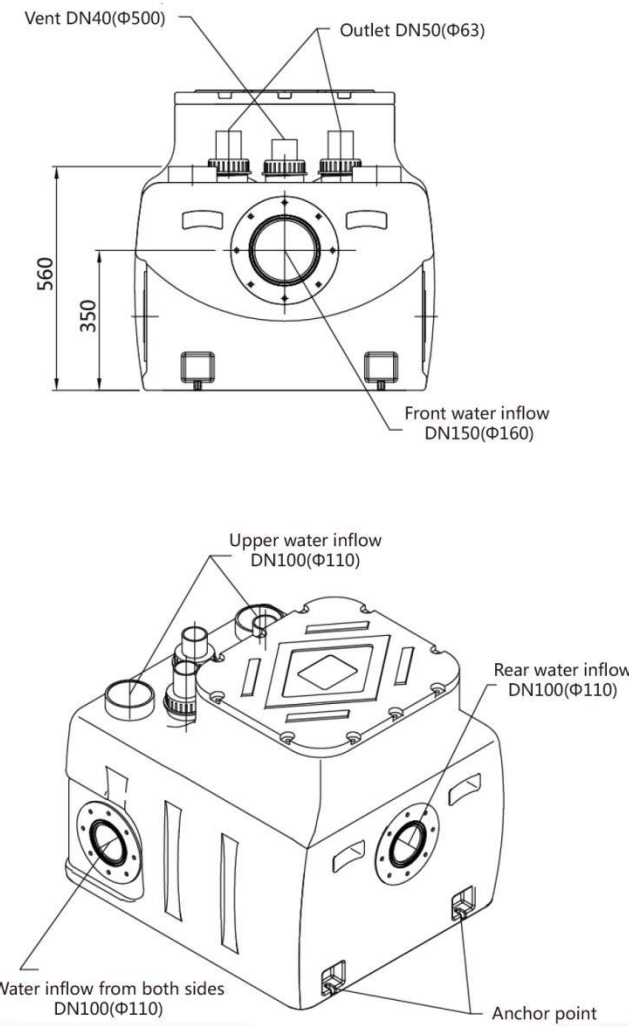
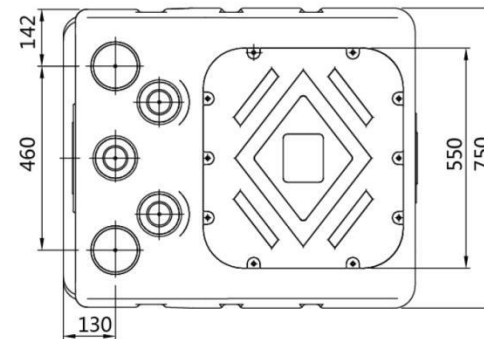
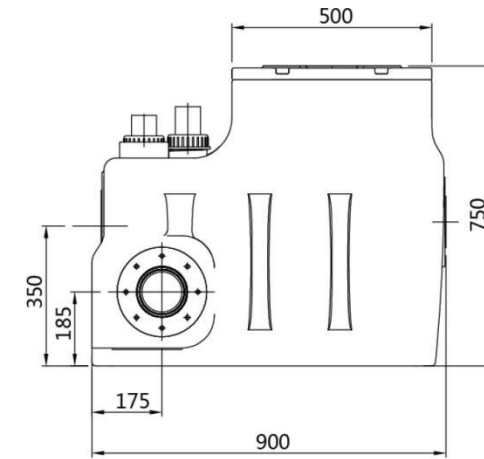
## Selection table

Model	Power (KW)	Voltage (V)	Current (A)	Outlet diameter	Lift (m)	2	4	6	8	10	12	14	16	18	20	22	24	26	28		
MSLR500L075D	0.75	220	5.2	DN50	Flow (m <sup>3</sup> /m)	20	18	16	14	10	6										
MSLR500L110D	1.1	220	6.6			24	22	20	18	15	10	5									
MSLR500L150D	1.5	220	7.6			36	32	30	28	24	21	17	13	8							
MSLR500L075D	0.75	220	1.9			20	18	16	14	10	6										
MSLR500L110D	1.1	380	2.6			24	22	20	18	15	10	5									
MSLR500L150D	1.5	380	3.2			36	32	30	28	24	21	17	13	8							
MSLR500L220D	2.2	380	5.8			56	53	50	46	41	35	28	21	15	8						
MSLR500L300D	3	380	6.6			70	66	61	56	50	44	37	32	26	18	12	6				

## Accessories list

Number	Description of accessories	Specification and size	Number	Remarks
1	controller	NK-2	1	Standard configuration
2	Soft connection of water inlet	DN100	1	Standard configuration
3	Water inlet stop valve	DN100	1	Matching
4	Water outlet stop valve	DN50	1	Matching
5	Water outlet stop valve of auxiliary pump	DN40	1	Matching
6	Auxiliary pump	/	1	Matching

## Equipment dimension drawing



## Installation diagram

